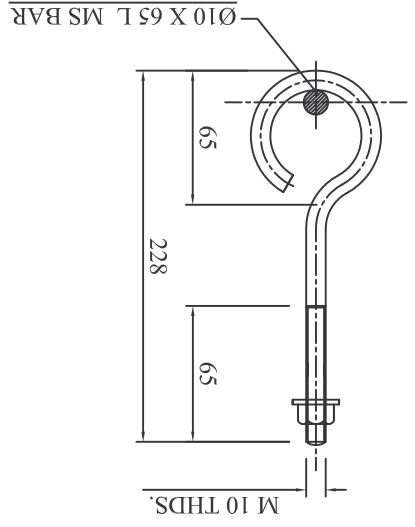
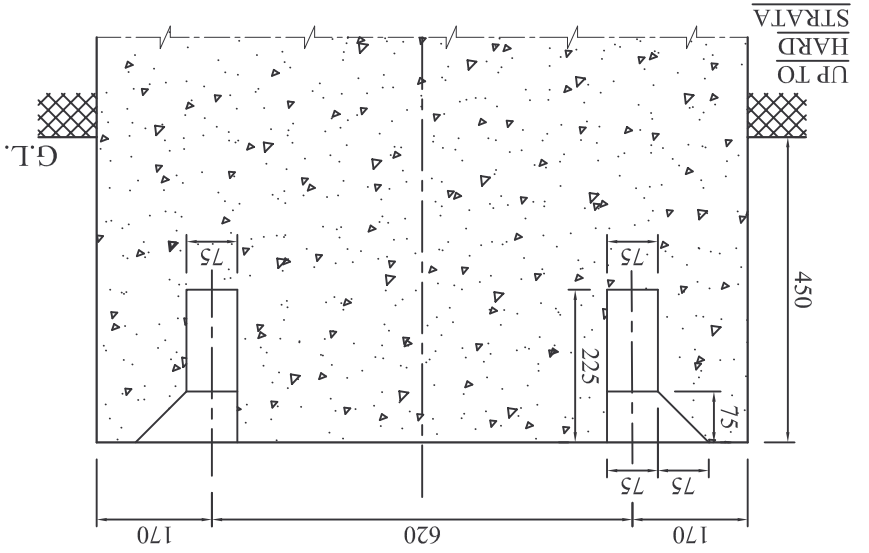


FOUNDATION PLAN MODEL : AKB 3000
 DRG. NO. 5

- NOTE:-
1. FOUNDATION BOLTS AS
 PER : (IS 5624)
 QTY : 4 NOS.
 LEVELLING SCREWS HEX.
 HEAD M10
 QTY : 4 NOS.
 - 2.



SECTION A-A



SECTION D-D

