

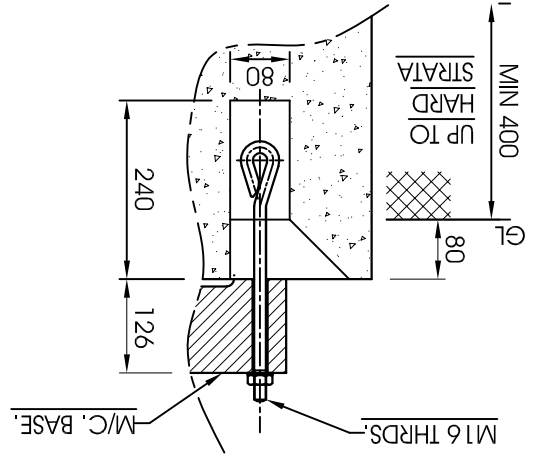


DRN - : P.Gurav, DATE - : 09.08.2010, CHK - : S.R.Joshi

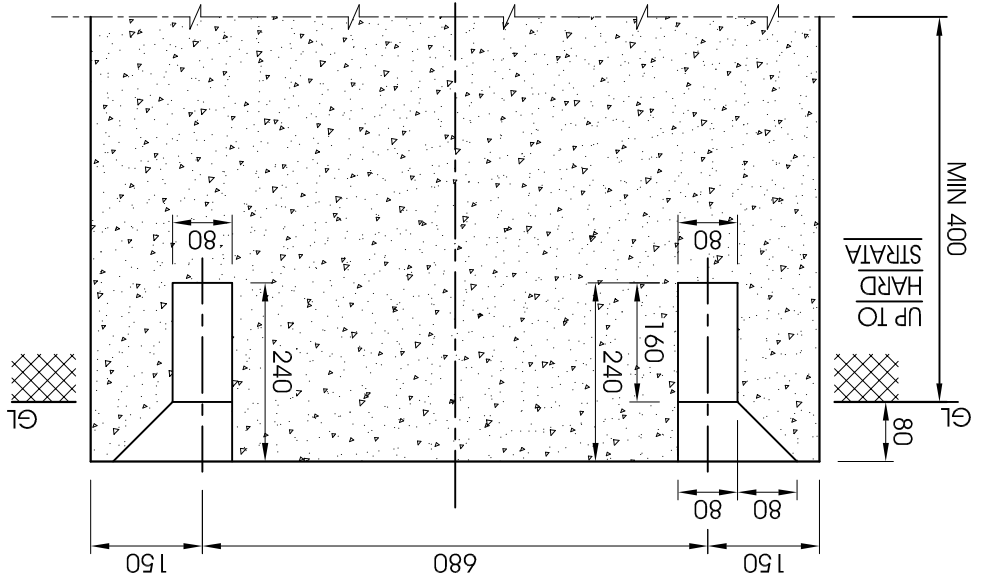
MODEL : AIT-300-N / AIT-300-EN / AIT-300-D

FOUNDATION PLAN

DETAILS OF FOUNDATION POCKETS.



SECTION A-A



- NOTE:-
1. FOUNDATION BOLT
 2. QTY : 4 NOS.
 3. MATL. - IS 226

