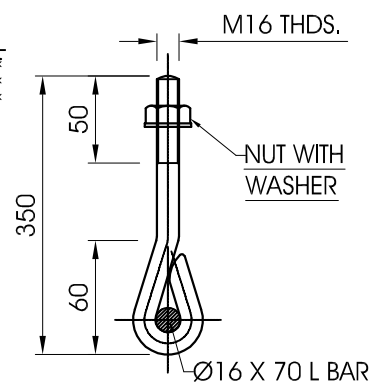
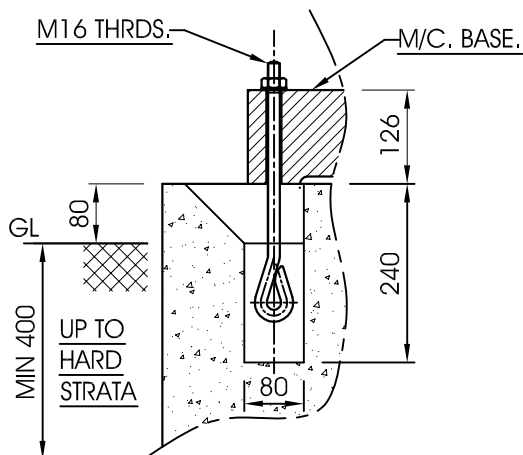


SECTION A-A



NOTE:-

1. FOUNDATION BOLT
2. QTY : 4 NOS.
3. MATL. - IS 226



DETAILS OF FOUNDATION POCKETS.

FOUNDATION PLAN

MODEL : AIT-300-N / AIT-300-EN / AIT-300-D

DRN - : P.Gurav, DATE - : 09.08.2010, CHK - : S.R.Joshi.



ABHINAV INDUSTRIES

J-23, MIDC AREA, KUPWAD BLOCK, SANGLI, 416 436.